

2.5 I/O Port Interfaces

The pins of I/O interface are physically connected to the 16-pin terminal block panel socket. The pinout of the I/O interface is described in Figure 9 and Table 5.

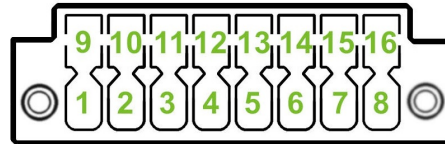


Figure 9: I/O Connector Pinout

Pin	Signal mark	Description
14	BIN0	The first binary input
6	BIN1	The second binary input
15	BIN2	The third binary input
7	BIN3	The fourth binary input
16	BOUT0	The first binary output
8	BOUT1	The second binary output
5, 13	GND	Ground (common negative pole)

Table 5: I/O Ports Pinout



The I/O interface is not electrically isolated from the router.

The I/O user interface is designed for binary input processing and binary output control. For detailed electrical parameters see Chapter 4.6. The functional scheme of connection for the binary input and binary output is in Figure 10.

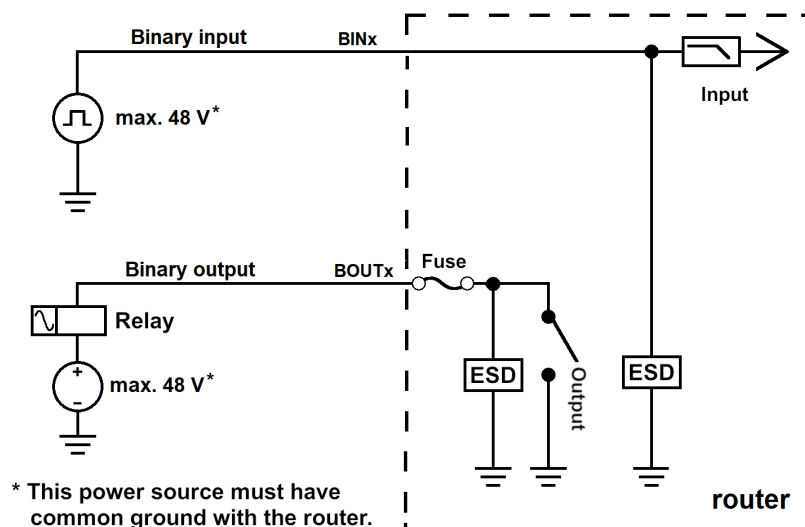


Figure 10: Functional Scheme of the Binary Interface